



BOU CHALHOUB

Company Profile

Waste Treatment Department

2023

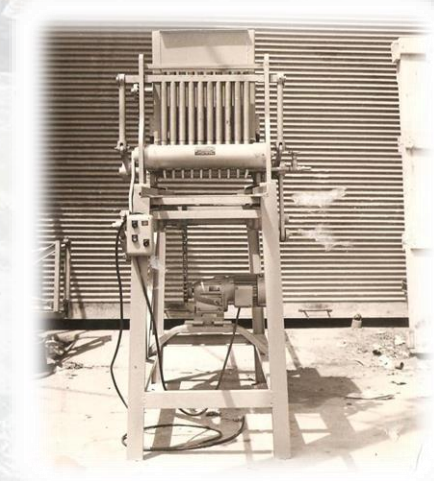
Who we are

Bou Chalhoub is a family-owned business, founded in 1966 by Tony Bou Chalhoub with an indicative long-standing history of the company's commitment to its clients. Bou Chalhoub succeeded throughout its long history to become one of the largest equipment manufacturers in the region committed to manufacturing cutting-edge equipment and quality solutions.

Over the past 58 years, Bou Chalhoub managed to establish solid partnerships with leading European & International companies such as KOMPTECH GmbH, MACPRESSE, Matthiessen Lagertechnik, Pezzaloto SpA, Gauss Magneti SRL, and other significant industry leaders strengthening Bou Chalhoub's ties and presence in the market.

Our mission: to keep understanding our market's need and maintain a prepared team that is ready to deliver the best possible results

Our vision: to be the leaders in supplying and servicing our industry always with feasible, efficient and reliable solutions



Time Line

1966 : Tony Halim Bou Chalhoub received an official Authorization to manufacture industrial equipment and parts

1979 : Bou Chalhoub Industrial and Commercial Establishment was founded

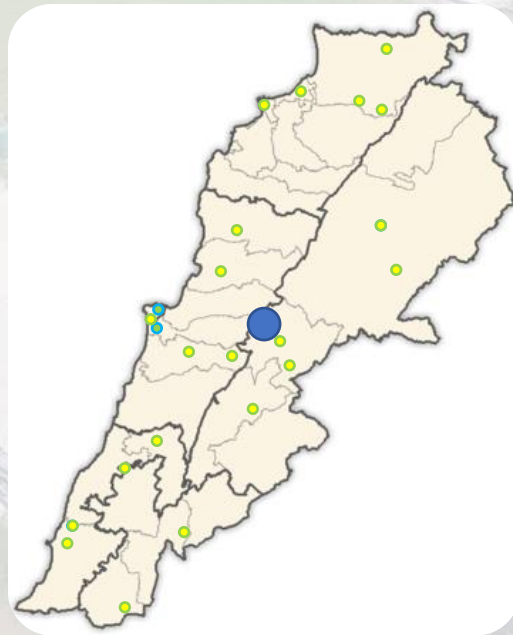
2018 : Bou Chalhoub Industrial Manufacturing and supplies S.A.L was founded and took over the operations in Lebanon

2021 : Bou Chalhoub Industrial Trading FZCO was established in the World trade Center -Free Zone – Dubai – UAE

2022 : A strategic partnership with SABK, a Leading manufacturing company located in Sudair – North of Riyadh, was established in order to better serve the quickly expanding KSA Market

Where we are






BOU CHALHOUB headquarters and main offices are located in the industrial City of Zahle – Lebanon



- Bou Chalhoub Headquarters
- Waste-treatment Projects supplied and installed
- Ongoing Waste-treatment projects

Our Operation in the GCC



-  Bou Chalhoub Headquarters
-  Bou Chalhoub FZCO - DWTC
-  SABK location Sudair North of Riyadh – Strategic partner
-  Completed Projects
-  Ongoing Projects



What sectors in the waste treatment industry do we cover:

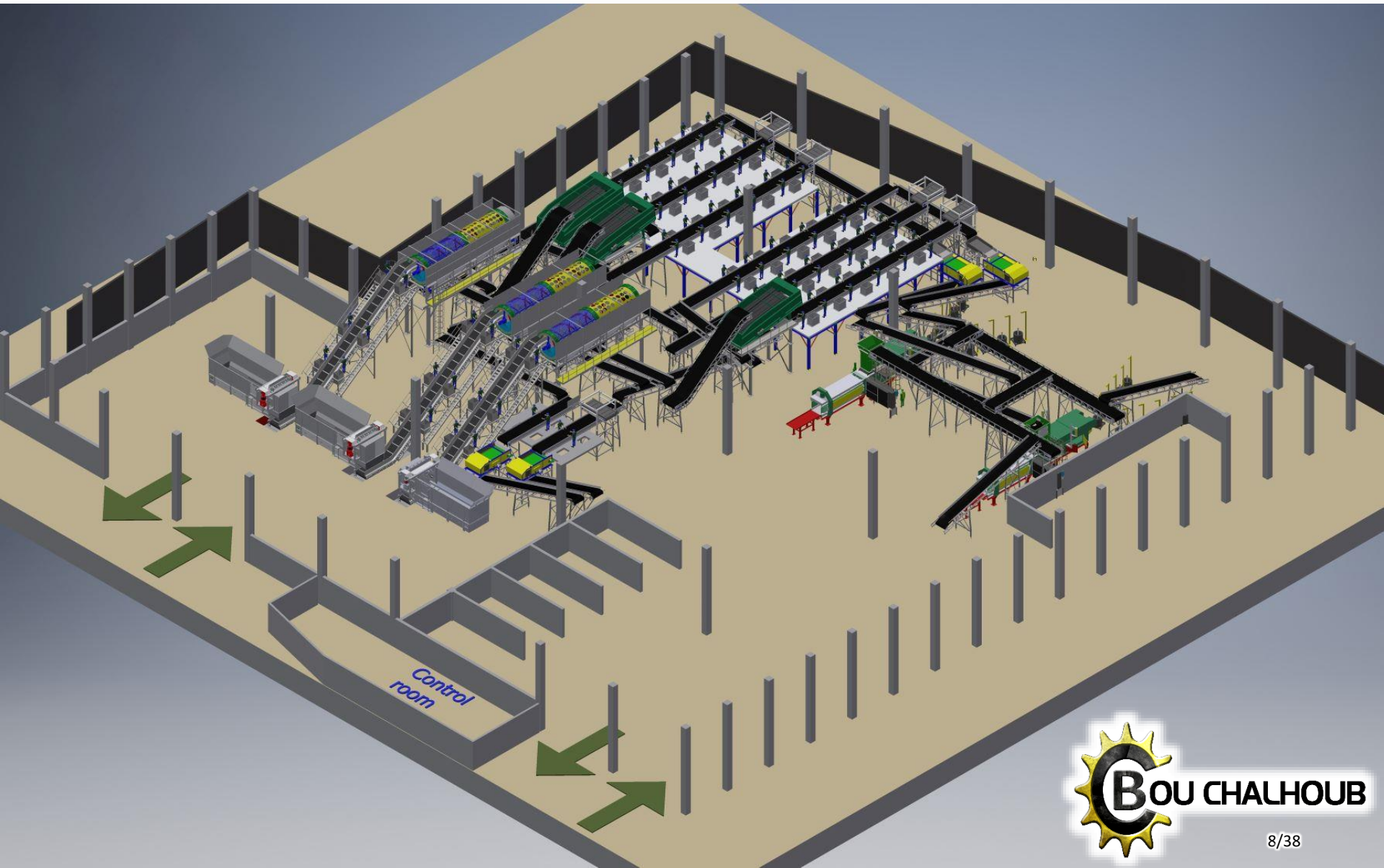
1. Material recovery facilities (MRFs)
2. Composting and Compost refining
3. Refuse derived Fuel (RDF)
4. Commercial and Industrial Waste (C&I)
5. Construction and Demolition waste (C&D)
6. And others...

Scope in the waste treatment industry:

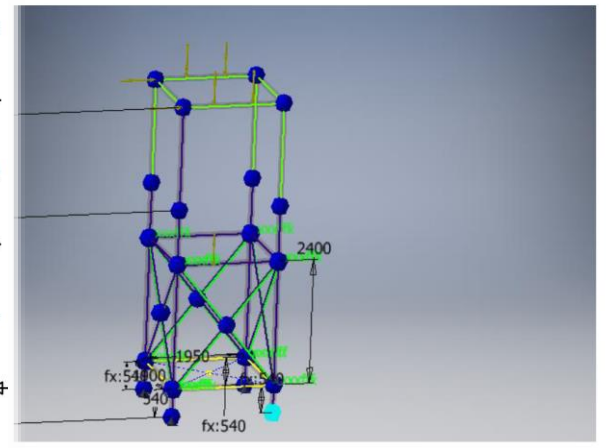
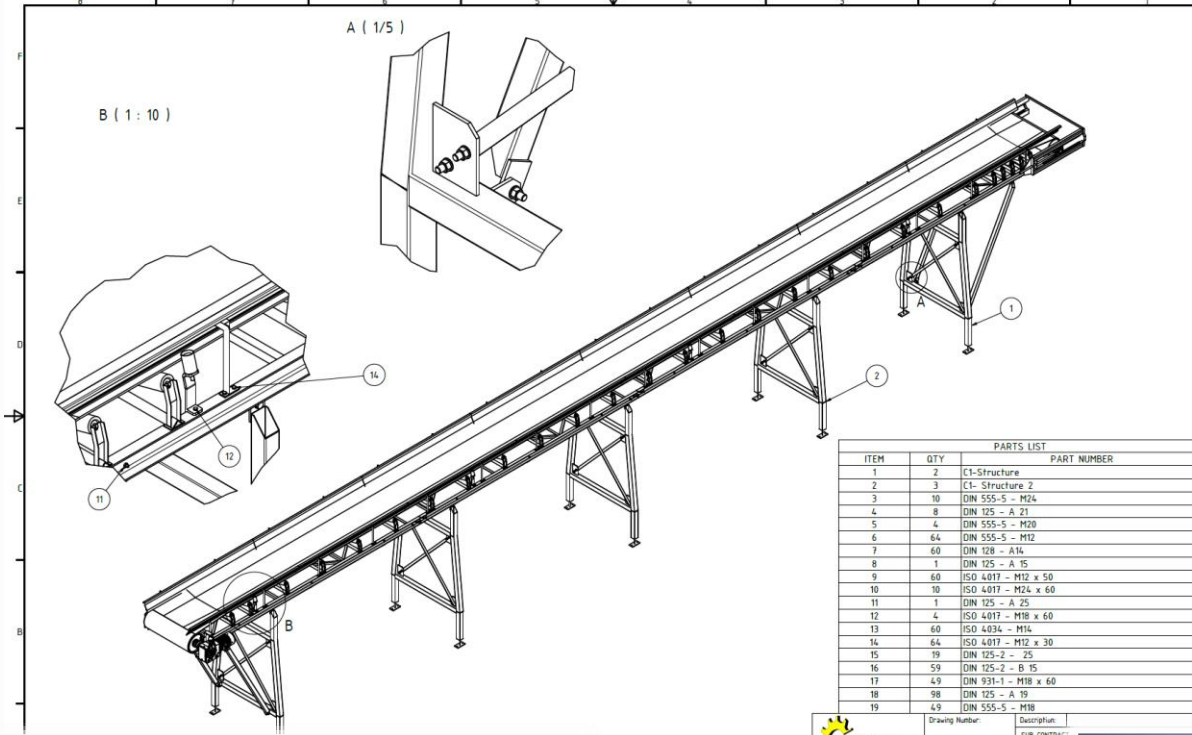
Integration and/or subcontracting of complete Turn-key Solution:

- Design & Engineering
- Manufacturing
- Supplying - Integrating
- Electrical and SCADA Systems
- Installation, Testing & Commissioning
- Maintenance – after sales service

DESIGN



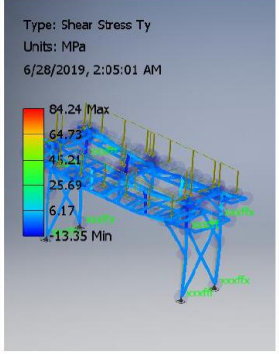
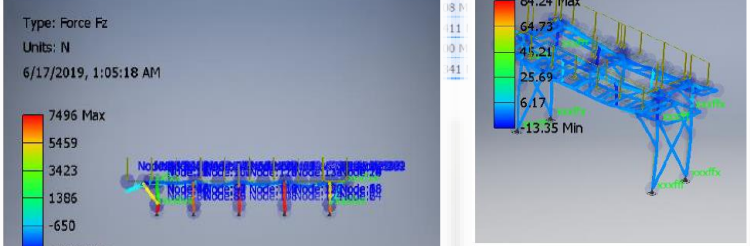
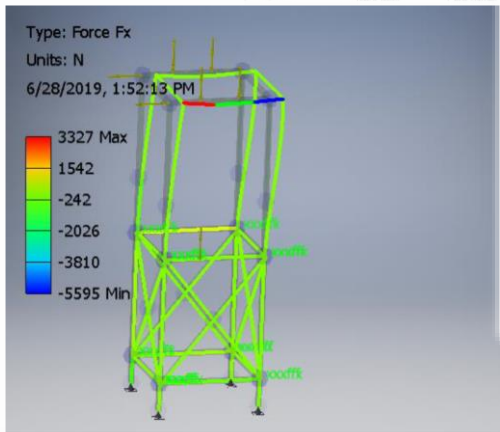
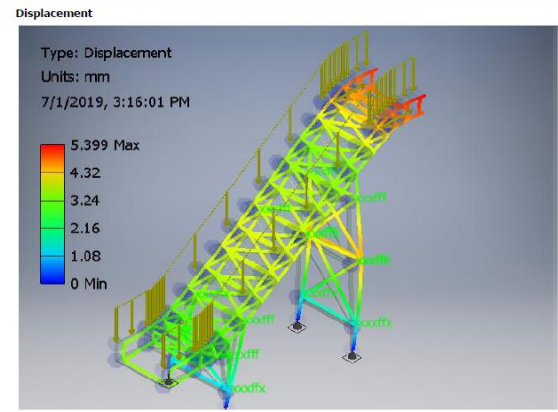
ENGINEERING



results

Static Result Summary

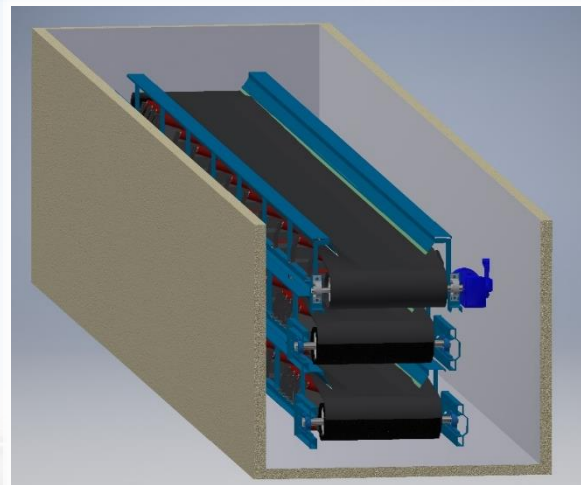
Name	Minimum	Maximum
Displacement	0.000 mm	7.521 mm
Forces	Fx	-5594.608 N
	Fy	-5593.199 N
	Fz	-2017.499 N
Moments	Mx	-2103703.102 N mm
	My	-2063725.759 N mm
	Mz	-6222.814 N mm
	σmax	-0.304 MPa



MANUFACTURING



TRANSPORTATION



INSTALLATION



Mechanical Installation



INSTALLATION WITH BHS - Sharjah - UAE



Electrical & SCADA



MAINTENANCE



Video links

showing different plants, supplied, installed, tested and commissioned by Bou Chalhoub

[-https://www.youtube.com/watch?v=mO3WIkcoJag](https://www.youtube.com/watch?v=mO3WIkcoJag)

[-https://www.youtube.com/watch?v=MLvIaMt1T6s](https://www.youtube.com/watch?v=MLvIaMt1T6s)

[-https://www.dropbox.com/s/gp6hlsbbl8iznri/Zahle%20Waste%20sorting%20plant.mp4?dl=0](https://www.dropbox.com/s/gp6hlsbbl8iznri/Zahle%20Waste%20sorting%20plant.mp4?dl=0)

[-https://www.youtube.com/watch?v=EvrFV63XsgY](https://www.youtube.com/watch?v=EvrFV63XsgY)

[-https://www.youtube.com/watch?v=2en1pvPufM8](https://www.youtube.com/watch?v=2en1pvPufM8)

[-https://www.youtube.com/watch?v=saorXGJJZpA](https://www.youtube.com/watch?v=saorXGJJZpA)

[- https://www.youtube.com/watch?v=4Eu9UbfgsAQ](https://www.youtube.com/watch?v=4Eu9UbfgsAQ)

[- https://www.youtube.com/watch?v=sb2LaE5xfY4](https://www.youtube.com/watch?v=sb2LaE5xfY4)

[- https://www.youtube.com/watch?v=m3JgP2ulcvM](https://www.youtube.com/watch?v=m3JgP2ulcvM)

[-https://www.dropbox.com/s/4nic7re4khxtiav/Solid%20Waste%20Sorting%20Line%20Tvre.mp4?dl=0](https://www.dropbox.com/s/4nic7re4khxtiav/Solid%20Waste%20Sorting%20Line%20Tvre.mp4?dl=0)

References in the waste treatment industry

Since 2006, and after the implementation by CHF-USAID of the solid waste treatment plant in our City, Zahle, BOU CHALHOUB has been involved in the supply of several solid waste treatment plants in Lebanon and the region, and here is a list of some of these projects:

- 2006: Main Suppliers for the Zahle solid waste treatment plant, Zahle-Lebanon
- 2007-2008: Supply and installation of the Shouf swaijani, as well as the Ansar & Kham Solid waste Treatment plant, South-Lebanon
- 2008-2009: RDF & Olive Grinds feeding line for the HOLCIM cement Factory in Chekka-Heri – Lebanon
- 2010 -2011: Main Suppliers for the MSWTP in Mahmoudiya – Baghdad - Iraq
- 2010-2011: All equipment with shredders for the Michmich Solid waste treatment plant, Akkar-Lebanon
- 2012: Supply & Installation of complete line for the Baalbeck and Ain Baal MSW treatment plant (15T/hour) – Lebanon
- 2013: RDF and Olive grinds feeding line for HOLCIM – SLCB Plant – Chekka - Lebanon
- 2013-2014: Supply & Installation of all equipment for the MSWTP in Kfour Village (15T/hour) – Nabatiyeh – Lebanon
- 2014-2015: Supply & Installation of a complete RDF Pyrolysis feedstock preparation plant – UTM - INDEVCO group – Halat - Lebanon
- 2015-2017: Supply & Installation of different conveyors, baling presses and composting drum for Arcenciel – Lebanon
- 2015: Supply & Installation of the Complete Sorting line for the MSWTP in Baadaran – Shouf - Lebanon
- 2015-2016: Complete Supply & Installation of all equipment to the BarElias MSWTP (15T/hour) –Lebanon
- 2016: Supply & Installation of 2x complete sorting lines for MSW in Dafra Landfill (25T/hour)– Abu Dhabi – UAE
- 2016: Supply & Installation of the Complete Sorting line for the MSWTP in Hbaline (10T/hour)– Lebanon
- 2017: Supply & Installation of the Complete Sorting line for the MSWTP in Tripoli (45T/hour)– Lebanon
- 2017: Supply & Installation of the complete MSWTP in Joub Jannine (15T/hour) - Lebanon
- 2017: Supply & Installation of the Complete new plant in Zahle (25T/hour) – Lebanon
- 2017: Supply of the main equipment for the MSWTP in Ghosta (15T/hour) – Lebanon
- 2017-2018: Building, Supply & Installation of the Complete renewed MSWTP for Ain Baal (15T/hour) – Tyr – Lebanon
- 2018 : Supply & Installation of the complete New MSWTP in Baalbeck (15T/Hour) – Lebanon
- 2018-2019: Supply & Installation of the complete MSWTP in Srar (25T/hour) – Akkar – Lebanon
- 2019-2020: Supply & Installation of 4x new MSW sorting lines for Beirut – with total maximum capacity of 120T/hour
- 2019-2020-2021: Refurbishing and Supply & Installation of new equipment for 9x sorting lines in Beirut – Lebanon
- 2020: Subcontracting with MVW Lechtenberg for the Supply of conveyors and trommel screens and complete installation of the first 40t/hr RDF line in Qassim – KSA – transferred to As-Sulay in 2021
- 2020-2021: Subcontracting with BHS for the supply of all conveyors, magnets, metallic structures and sorting cabins, as well as the complete installation of the 80T/Hr C&I Line for BEE'AH in Sharjah – UAE
- 2022: Supply of a mobile Sorting Unit to AVERDA located in Casablanca - Morocco
- 2022: Subcontracting with MVW Lechtenberg for the complete Engineering, Supply of conveyors, sorting Cabin, Control panels, Complete erection, mechanical and electrical installation, integration of client's equipment related to the 350T/hr CDW plant for NESMA/LAVAJET Located in Dammam - KSA
- 2022: Subcontracting with SABK for the Complete Engineering, supply of Conveyors, Trommels, Balers, Sorting platforms, Control panels, Complete Erection mechanical and electrical installation, integration of Client's equipment related to the MRF capable of processing 50T/hr of MSW- for AVERDA Saudi Co, located in Tabuk – KSA
- 2022: Complete supply of the MSW treatment line in Rachiine - Lebanon
- 2022-2023: Complete supply of the MSW treatment line for CLEANCO in Ruwais – Abu Dhabi – UAE
- 2023: Supply for Waste sorting line to Lavajet – NC1 – NEOM – KSA
- 2023: Supply of Complete MRF for EFS – OXAGON – NEOM – KSA
- 2023: Supply of Wood Shredder and Compost Turning machine for Yamama – KSA
- 2023: Supply of 2x Windrow Turning Machines for soil remediation to KCPC – KOC – Kuwait
- 2023-2024: Supply of 2x Windrow Turning Machines for soil Remediation to ENSHAAT – KOC – Kuwait (ongoing)
- 2023-2024: Subcontracting with SABK to Supply of Complete MRF to ARC – Hail – KSA (ongoing)



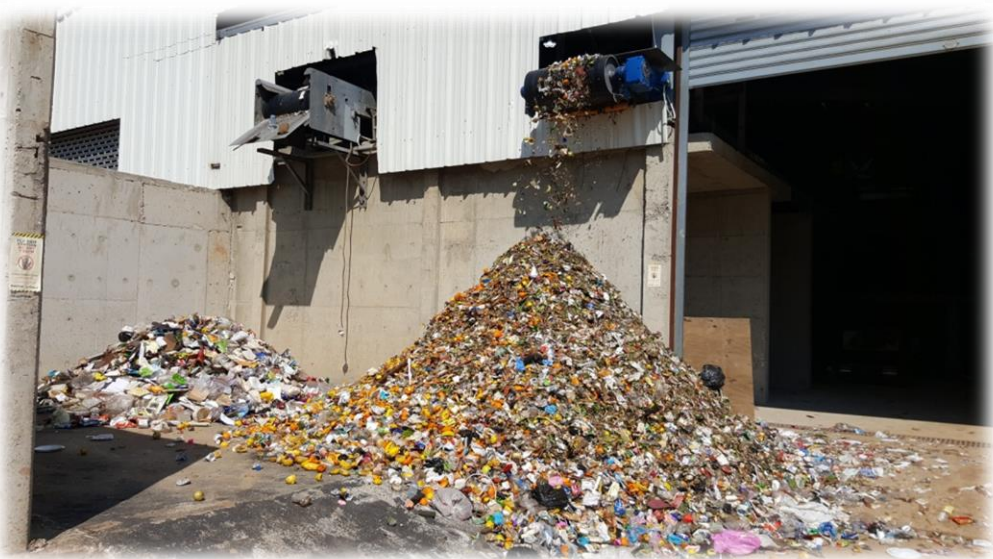
Material Recovery Facility for 1200T/day MSW – Amrousiyeh Beirut - Lebanon



MRF for 2000T/day MSW – Karantina Beirut – Lebanon



MRF for 40Tph MSW – Tripoli - Lebanon



MRF for MSW- Nabatiyeh - Lebanon



Composting of the Organic Fraction of the MSW – Nabatiyeh



MRF and composting line from MSW – Baalbeck - Lebanon



Municipal Solid Waste MRF Line – Bar Elias - Lebanon



Compost from MSW – Bar Elias - Lebanon



RDF production line - UTM- Halat - Lebanon



RDF LINE - As-Sulay - KSA



MRF - TABUK - KSA



MRF – Ruwais – UAE



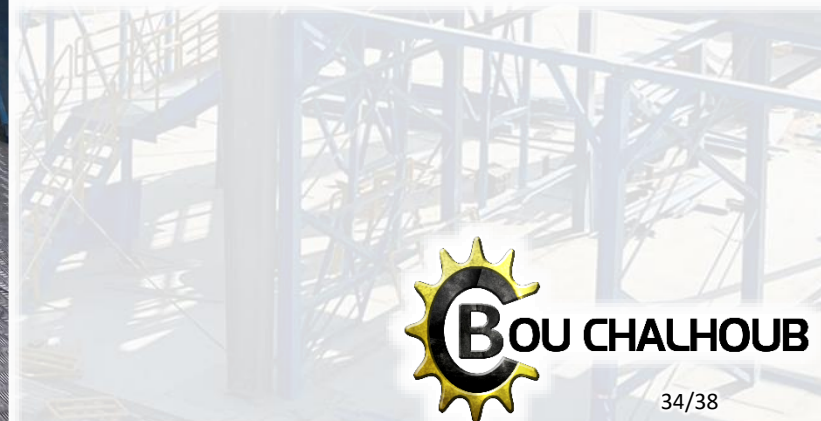
CDW – Dammam – KSA



C&I - SHARJAH - UAE



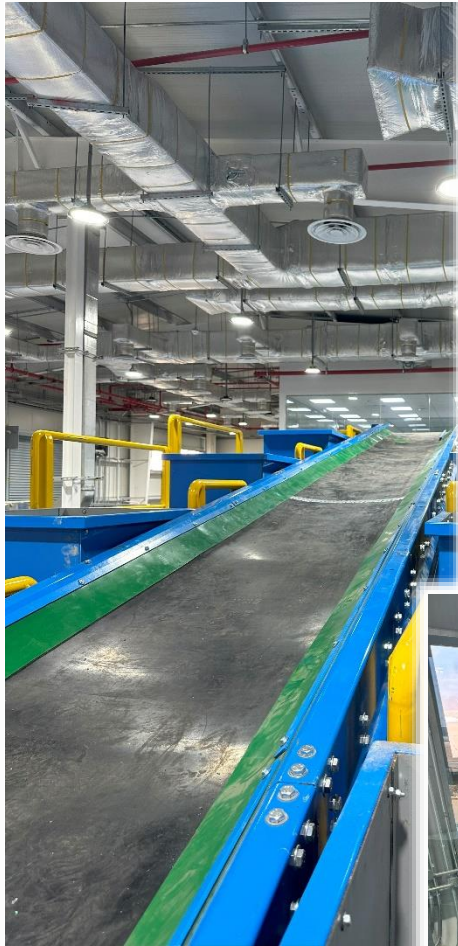
C&I - SHARJAH - UAE



MRF - NCI - NEOM - KSA



MRF - OXAGON - NEOM - KSA



Our Partners in the Waste Treatment Industry

Through the years, and to enhance the technical capabilities and develop its “know how”, BOU CHALHOUB established different partnerships/cooperation with International companies that are specialists and world leaders in the Waste treatment field



MACPRESSE
EUROPA

Bulk Handling
SYSTEMS





Industrial Zone - Zahle - Lebanon
Tel: +961 28 543088 / 81 307888
Fax: +961 8 805315

World Trade Center- Dubai - UAE
Tel: +971-505 842 588

Website : www.bouchalhoub.com
Email : info@bouchalhoub-est.com
charbel@bouchalhoub.com
P.O.Box: 173 Zahle